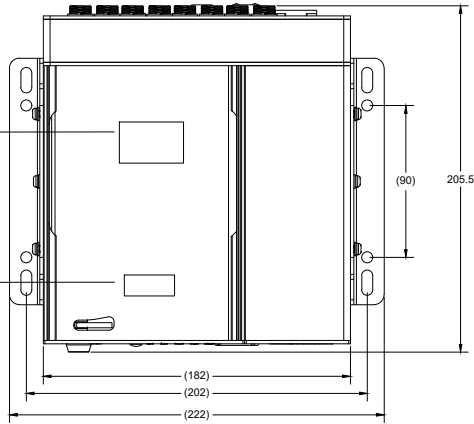
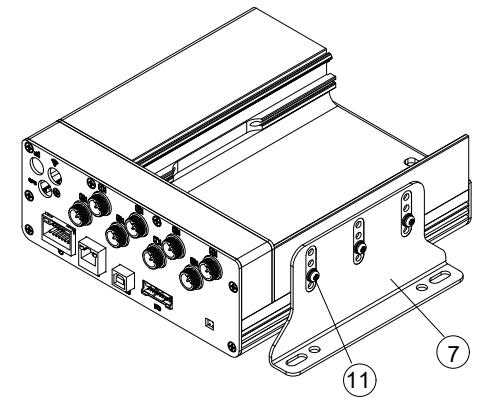
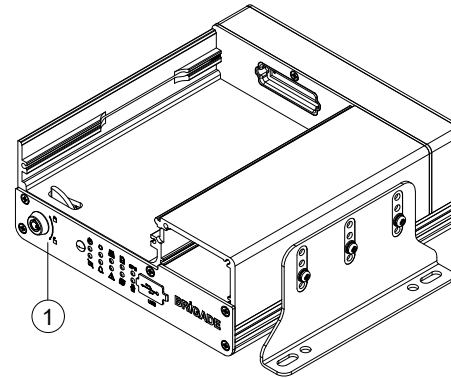
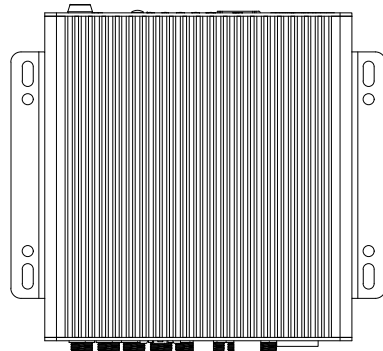
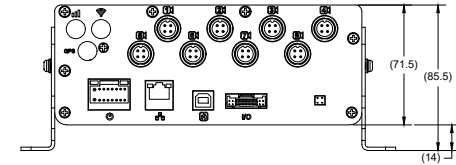
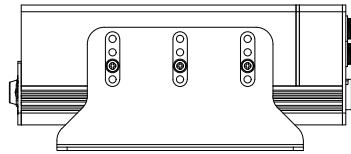
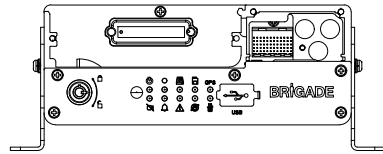
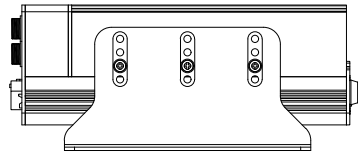


Revision Notes.				
R1 - UPDATING FIRMWARE VERSION AND MANUAL AND CD PART NUMBERS FOR ECR-A583 AND P1296 (9 LANGUAGES, NEW FEATURES AND BUG FIXES)				
APA: CAROL LI	Drawn:S. ZHANG	Checked:L. PILLAY	Approved:R. PENTLEY	Date: 24/07/2019
R2 - UPDATE FIRMWARE VERSION,GPS ANTENNA, CD & INSTALLATION GUIDE AS PER P1471 & P1405				
APA: P. BU	Drawn: F. ADEMUJIMI	Checked:S. ZHANG	Approved:S. LAVER	Date: 02/12/2020
R3 -UPDATE FIRMWARE VERSION AND INSTALLATION GUIDE AS PER P1481				
APA: CAROL LI	Drawn:S. ZHANG	Checked:A. KEBEDE	Approved:R. PENTLEY	Date: 09/08/2021
R4 - UPDATE INSTALLATION GUIDE VERSION AS PER CR-A913				
APA: P. BU	Drawn:S. ZHANG	Checked: F. ADEMUJIMI	Approved:A. KEBEDE	Date: 26/05/2022
R5 - UPDATE FIRMWARE VERSION AS PER P1778				
APA: J. LIU	Drawn:P. BU	Checked:S. ZHANG	Approved:D. FOALE	Date: 06/02/2026

PRODUCT NUMBER LABEL LOCATION

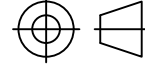


SERIAL NUMBER LABEL LOCATION



- NOTES:
1. REFERENCE INSTRUCTION MANUAL FOR FUNCTIONALITY.
 2. ANY CUSTOMER MODIFICATION OF THIS PRODUCT CAUSING SUBSEQUENT FAILURE IS NOT A LIABILITY OF BRIGADE ELECTRONICS GROUP PLC.
 3. FIXING SCREWS SUPPLIED IN CLEAR PLASTIC BAG.
 4. REFER TO COMPONENT DRAWINGS FOR DETAILED COMPONENT INFORMATION.
 5. FOR ALL LABELS AND PACKAGING REFER TO MASTER BOM.
 6. PART DESCRIPTIONS CONTAINING "" ARE FOUND WITHIN THE CONTROL UNIT. REFER TO MASTER BOM FOR DETAILS.

PROPRIETARY NOTICE
THIS DESIGN AND TECHNICAL INFORMATION APPEARING ON THIS DRAWING IS THE PROPERTY OF BRIGADE ELECTRONICS, AND IS DISCLOSED IN CONFIDENCE. IT IS NOT TO BE COPIED, REPRODUCED, REVEALED TO OR EXPROPRIATED BY OTHERS, EITHER IN WHOLE OR IN PART WITHOUT THE EXPRESS WRITTEN CONSENT OF BRIGADE ELECTRONICS.

Sheet 1 of 2	Assembly PI Approval CAROL LI	Approved by B. JOHN	Checked by L. PILLAY	Drawn by S. ZHANG
Customer Approval N/A	Angle of Projection 	Units mm	Scale N/A	Released 23/01/19
	Status RELEASE	MDR-508-DS-E01		Assembly Ref -
	Part No 5624A	BE-003912-05-18		

Brigade
brigade-electronics.com

Revision Notes.				
R1 - UPDATING FIRMWARE VERSION AND MANUAL AND CD PART NUMBERS FOR ECR-A583 AND P1296 (9 LANGUAGES, NEW FEATURES AND BUG FIXES)				
APA: CAROL LI	Drawn:S. ZHANG	Checked:L. PILLAY	Approved:R. PENTLEY	Date: 24/07/2019
R2 -UPDATE FIRMWARE VERSION,GPS ANTENNA, CD & INSTALLATION GUIDE AS PER P1471 & P1405				
APA: P.BU	Drawn: F. ADEMUJIMI	Checked:s. ZHANG	Approved:S. LAVER	Date: 02/12/2020
R3 -UPDATE FIRMWARE VERSION AND INSTALLATION GUIDE AS PER P1481				
APA: CAROL LI	Drawn:s. ZHANG	Checked:A. KEBEDE	Approved:R. PENTLEY	Date: 09/08/2021
R4 - UPDATE INSTALLATION GUIDE VERSION AS PER CR-A913				
APA: P. BU	Drawn:S. ZHANG	Checked: F. ADEMUJIMI	Approved:A. KEBEDE	Date: 26/05/2022
R5 - UPDATE FIRMWARE VERSION AS PER P1778				
APA: J. LIU	Drawn:P. BU	Checked:s. ZHANG	Approved:D. FOALE	Date: 06/02/2026

ITEM	PART NUMBER	QTY	MODEL NUMBER	DESCRIPTION	MCU VERSION	FIRMWARE VERSION
(A)	5624A	1	MDR-508-DS-E01	MDR-500, 8 CAMERA UNIT, WITHOUT MOBILE CADDY AND EXPANSION MODULE	T17071201	T260123.04



ITEM	(1)	(2)	(3)	(4)	(5)	(6)
DESCRIPTION	8CH DOCKING STATION WITH G-SENSOR *	MDR INPUT / OUTPUT CABLE (NOT SHOWN)	MDR POWER CABLE (NOT SHOWN)	MDR SECOND GENERATION GPS ANTENNA (NOT SHOWN)	MDR USB A TO B CABLE (NOT SHOWN)	SECURITY KEY (NOT SHOWN)
MODEL NUMBER	MDR-508-DS	MDR-IO-01	MDR-PWR-01	MDR-ANT-GPS-02	MDR-USB-B-02	MDR-KEY-01
PART NUMBER	5150	5142	5141	6118	5195	4891
MDR-508-DS-E01 QTY	1	1	1	1	1	1

ITEM	(7)	(8)	(9)	(10)	(11)	(12)
DESCRIPTION	2 x MDR BRACKETS	MDR MOUSE (NOT SHOWN)	ENGLISH INSTALLATION GUIDE (NOT SHOWN)	INSTALLATION CD (NOT SHOWN)	7 x FIXINGS FOR MDR BRACKETS	VEHICLE WARNING STICKER (NOT SHOWN)
MODEL NUMBER	MDR-BKT-01	MDR-MOUSE-01	MDR-500-IG-EN	MDR-XXX-CD	MDR-BKT-FIX-01	MDR-VWS
PART NUMBER	5138	5250	6326B	6325	5197	5252
MDR-508-DS-E01 QTY	1	1	1	1	1	1

- NOTES:
1. REFERENCE INSTRUCTION MANUAL FOR FUNCTIONALITY.
 2. ANY CUSTOMER MODIFICATION OF THIS PRODUCT CAUSING SUBSEQUENT FAILURE IS NOT A LIABILITY OF BRIGADE ELECTRONICS GROUP PLC.
 3. FIXING SCREWS SUPPLIED IN CLEAR PLASTIC BAG.
 4. REFER TO COMPONENT DRAWINGS FOR DETAILED COMPONENT INFORMATION.
 5. FOR ALL LABELS AND PACKAGING REFER TO MASTER BOM.
 6. PART DESCRIPTIONS CONTAINING "*" ARE FOUND WITHIN THE CONTROL UNIT. REFER TO MASTER BOM FOR DETAILS.

PROPRIETARY NOTICE
 THIS DESIGN AND TECHNICAL INFORMATION APPEARING ON THIS DRAWING IS THE PROPERTY OF BRIGADE ELECTRONICS, AND IS DISCLOSED IN CONFIDENCE. IT IS NOT TO BE COPIED, REPRODUCED, REVEALED TO OR EXPROPRIATED BY OTHERS, EITHER IN WHOLE OR IN PART WITHOUT THE EXPRESS WRITTEN CONSENT OF BRIGADE ELECTRONICS.

Sheet 2 of 2	Assembly Pl Approval CAROL LI	Approved by B. JOHN	Checked by L. PILLAY	Drawn by S. ZHANG
Customer Approval N/A		Units mm	Scale N/A	Released 23/01/19
		Status RELEASE	MDR-508-DS-E01	
		Part No 5624A	BE-003912-05-18	

